

UNIVERSAL[®]

CHILLING SYSTEMS

UCS-30AR3-SS AIR COOLED

PHYSICAL DATA

Cooling Capacity	kcal/h		93200
	BTU/h		369900
	Nominal Capacity	RT	30
	Outlet Water Temp.	°F	50
	Condensation Temp.	°F	122
Power Supply			3PH-480V-60HZ
Max Amp		A	83
Total Power Input		HP	67
Power Supply Cable Diameter		mm ²	3x35+2x16
Safety Protection Device			Overload, Inverse Phase, High/Low Pressure, Water Flow, Water Level & Anti-Freeze Protection
Refrigerant	Type		R410A
	Charge	Lbs	40.0
Compressor	Start Mode		Direct start
	Type		Scroll Type
	Qty		4
	HP		13.5x4
	RLA (Rated Load Amp)		15.1x4
	LRA(Locked Rotor Amp)		125x4
Fan	Qty		4
	Type		External Rotar Axial Fan
	Power	HP	1.13x4
	Current	A	1.27x4
	LRA	A	8x4
	Volume Air Flow	CFM	29964
Condenser	Type		MCHE
	Subcooling	°F	9
	Heat Rejection	BTU/h	496000
Evaporator	Type		SS304 Shell and Cu Tubes
	Superheat	°F	9
	Heat Rejection	BTU/h	369,900
	Cooled Water Flow	GPM	82
	Water Pressure Drop	PSI	≤12
Energy Adjust Mode			100%-50%-25%-0%
Throttling Device	Mode		thermal expansion valve
Pipe	Water Outlet		MNPT 3"
	Water Inlet		MNPT 3"

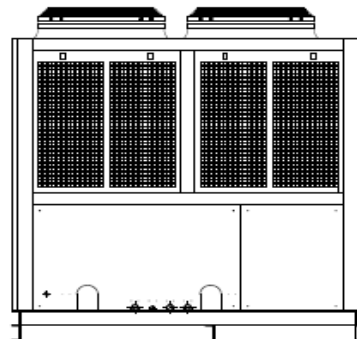
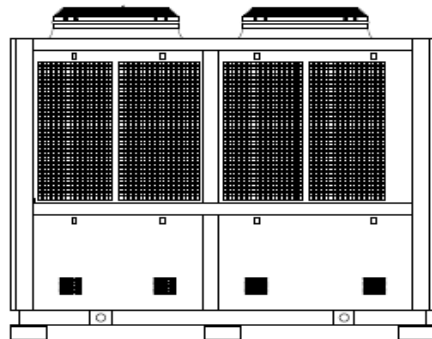
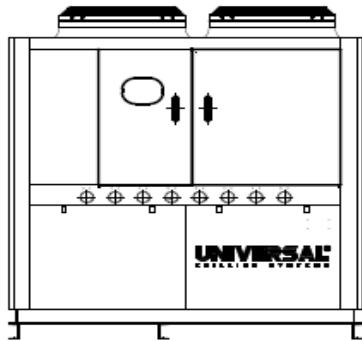
UNIVERSAL[®]

CHILLING SYSTEMS

Water Pump	Flow	GPM	82
	Head	PSI	50.8
	LRA	A	48.6
	Power	HP	5.50
Water Tank	Capacity	GAL	90.6
Sound Pressure at 1 meter	DBA		75
Programming Controller	Display		LCD display
	Controller		microcomputer controller
	Temp Control Range °F		+41 ~+95
	Temp Control Accuracy °F		±3.6
Dimensions	inches (LxWxH)		94x78x86
Weight	lbs		2970(For Reference)

NOTES:

- 1 Cooling capacity based on 5°C(41°F) leaving coolant and 35°C(95°F) ambient air.
Chilled water work allowed temperature range: 5°C~35°C (41°F ~95°F).
- 2 Chilled water in and out temperature difference: 3°C~8°C (5.4°F~14.4°F);
Allowed ambient temperature range: -20°C~40°C (-4°F~104°F).
Power supply: 3PH-480V-60HZ , Allowing the voltage fluctuate ±10%, allow phase voltage difference ±2%, Allow the frequency range ±0.2Hz.
- 3



UNIVERSAL[®]

CHILLING SYSTEMS

