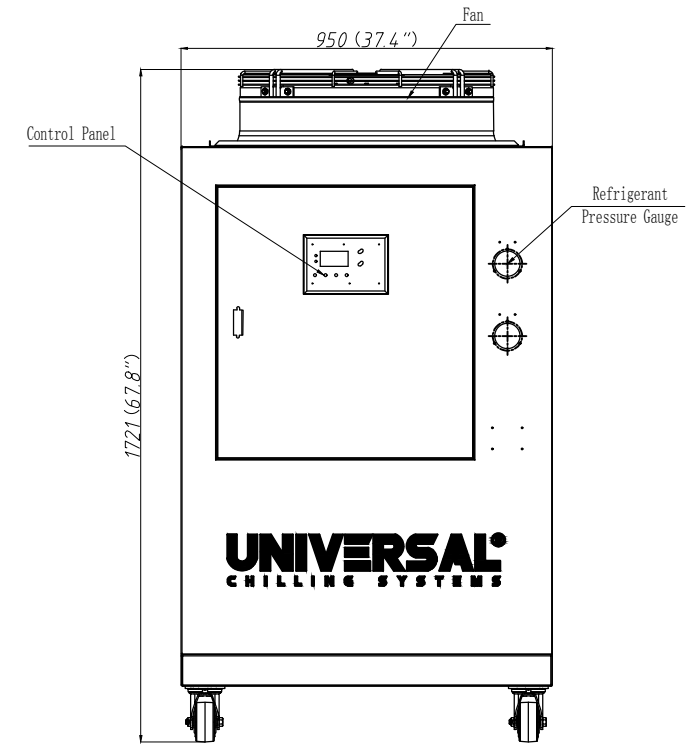
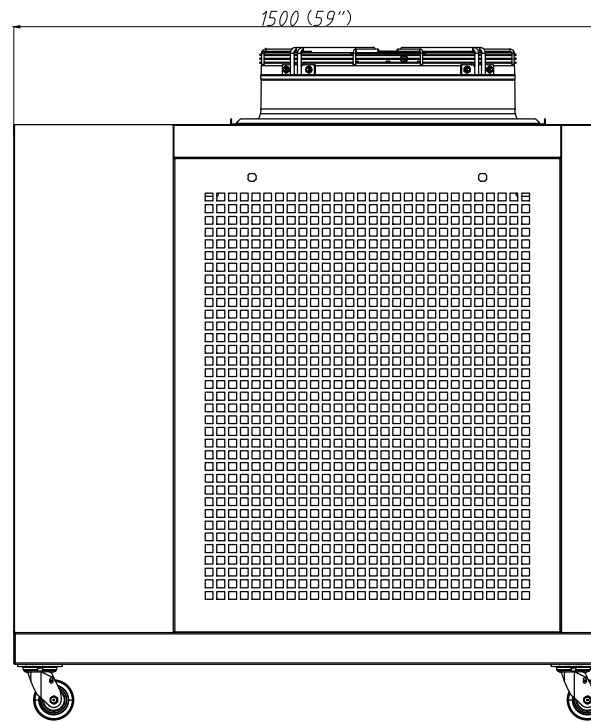
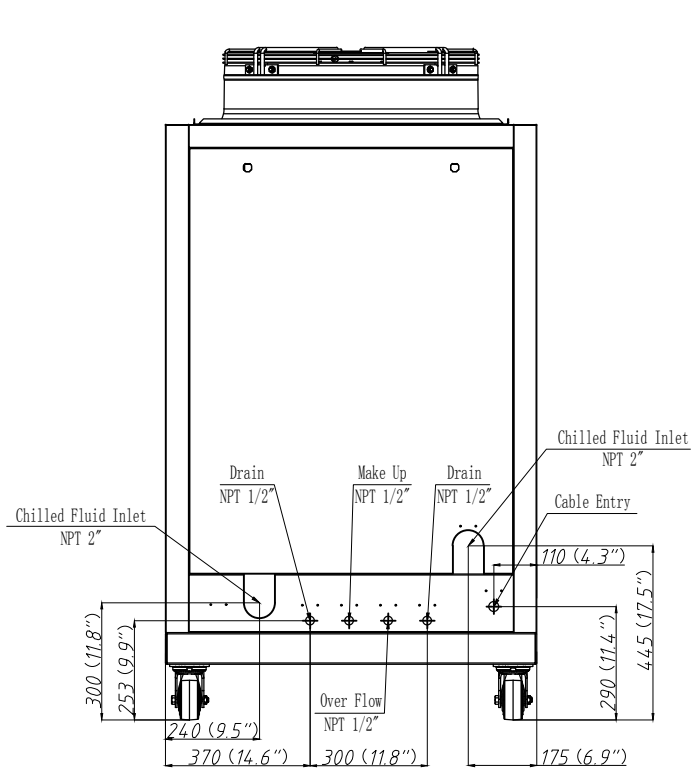


CAD



Grafting (Universal) Parts Record

Drawing

Former Base Chart No.

Base Chart No.

Signed by

Date

				OUTLINE DIMENSION			UCS-10AR3	
Sign No.	Mod. doc. No.	Autograph	Date					
Design	Standardization			Pattern Mark	Weight	Scale		
Check	Sanction			S				
Auditing	Date							
Technology	The First Angle Of View			A Total Of	Page	No.	Page	
				<b>UNIVERSAL</b> CHILLING SYSTEMS				